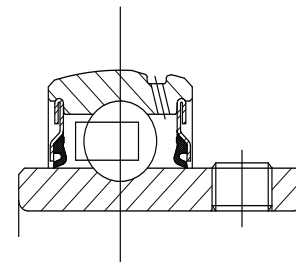
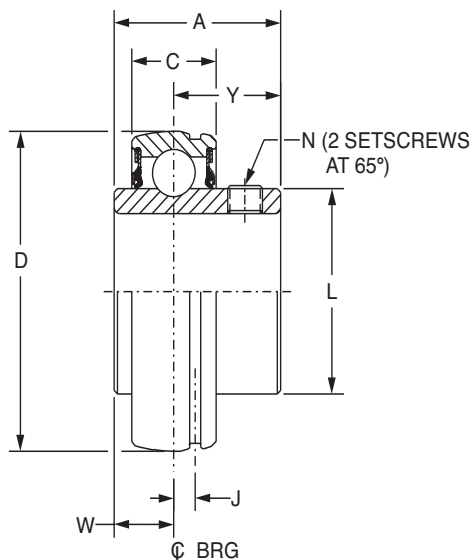




SELECTION/DIMENSIONS

Setscrew VSC Ball Bearings VSC INTERMEDIATE DUTY BEARING INSERTS



Series	Shaft Size	Part No.	Description
203	1/2	389923	INS-VSC-008
	5/8	389924	INS-VSC-010
	17mm	125636	INS-VSC-17M
204	3/4	389925	INS-VSC-012
	20mm	125637	INS-VSC-20M
205	7/8	389936	INS-VSC-014
	15/16	389937	INS-VSC-015
	1	389926	INS-VSC-100
	25mm	125638	INS-VSC-25M
206	1-1/8	389938	INS-VSC-102
	1-3/16	389927	INS-VSC-103
	1-1/4	389934	INS-VSC-104S
	30mm	123235	INS-VSC-30M
207	1-1/4	389928	INS-VSC-104
	1-3/8	389939	INS-VSC-106
	1-7/16	389929	INS-VSC-107
	35mm	125639	INS-VSC-35M
208	1-1/2	389930	INS-VSC-108
	40mm	125640	INS-VSC-40M
209	1-11/16	389940	INS-VSC-111
	1-3/4	389941	INS-VSC-112
	45mm	125641	INS-VSC-45M
210	1-15/16	389931	INS-VSC-115
	2	389932	INS-VSC-200
	50mm	125642	INS-VSC-50M
211	2	389935	INS-VSC-200L
	2-3/16	389933	INS-VSC-203
	55mm	125643	INS-VSC-55M

FEATURES/BENEFITS
PAGE B8-2

HOW TO ORDER/NOMENCLATURE
PAGE B4-5

EASY SELECTION
PAGE B8-3

ACCESSORIES
PAGE B8-26

Eccentric Collar Ball Bearings
 Setscrew VSC Ball Bearing
 Eccentric SXV Collar Ball Bearing
 Take-Up Frames
 Engineering
 Part Number Index
 Keyword Index

SELECTION/DIMENSIONS



Setscrew VSC Ball Bearings VSC INTERMEDIATE DUTY BEARING INSERTS

Eccentric Collar Ball Bearing

Setscrew VSC Ball Bearing

Eccentric SXV Collar Ball Bearing

Take-Up Frames

Engineering

Part Number Index

Keyword Index

Series	Shaft Size	Weight lbs. kg.	A	C	D	J	L	N	W	Y
203	1/2	0.23	1.00	0.51	1.5748	0.15	0.96	10-32	0.36	0.64
	5/8	0.21								
	17mm	0.10	25.4	13.0	40.000	3.8	24.4	M5x0.8	9.1	16.3
204	3/4	0.25	1.23	0.58	1.8504	0.15	1.12	1/4-28	0.50	0.73
	20mm	0.11	31.2	14.7	47.000	3.8	28.4	M6x1	12.7	18.5
205	7/8	0.41	1.34	0.59	2.0472	0.16	1.32	1/4-28	0.56	0.78
	15/16	0.38								
	1	0.25								
206	25mm	0.17	34.0	15.0	52.000	4.1	33.5	M6x1	14.2	19.8
	1-1/8	0.61	1.52	0.69	2.4409	0.16	1.57	5/16-24	0.58	0.94
	1-3/16	0.58								
207	1-1/4	0.56								
	30mm	0.25	38.6	17.5	62.000	4.1	39.9	M8x1.25	14.7	23.9
	1-3/8	0.88								
208	1-7/16	0.75								
	35mm	0.38	43.4	19.1	72.000	5.1	46.7	M8x1.25	17.0	26.4
	1-1/2	1.20	1.94	0.87	3.1496	0.22	2.05	5/16-24	0.75	1.19
209	40mm	0.52	49.3	22.1	80.000	5.6	52.1	M8x1.25	19.1	30.2
	1-11/16	1.41	1.94	0.87	3.3465	0.25	2.22	5/16-24	0.75	1.19
	1-3/4	1.34								
210	45mm	0.61	49.3	22.1	85.000	6.4	56.4	M8x1.25	19.1	30.2
	1-15/16	1.46	1.94	0.87	3.5433	0.25	2.43	3/8-24	0.75	1.19
	2	1.37								
211	50mm	0.63	49.3	22.1	90.000	6.4	61.7	M10x1.5	19.1	30.2
	2	2.24	2.22	0.94	3.9370	0.25	2.71	3/8-24	0.87	1.35
	2-3/16	1.95								
	55mm	0.97	56.4	23.9	100.000	6.4	68.8	M10x1.5	22.1	34.3

FEATURES/BENEFITS PAGE B8-2	HOW TO ORDER/NOMENCLATURE PAGE B4-5	EASY SELECTION PAGE B8-3	ACCESSORIES PAGE B8-26
--------------------------------	--	-----------------------------	---------------------------